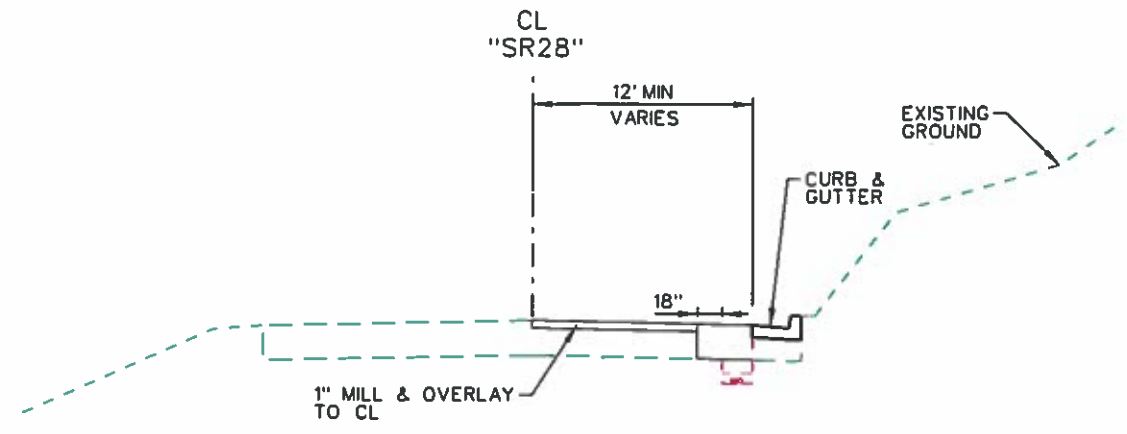


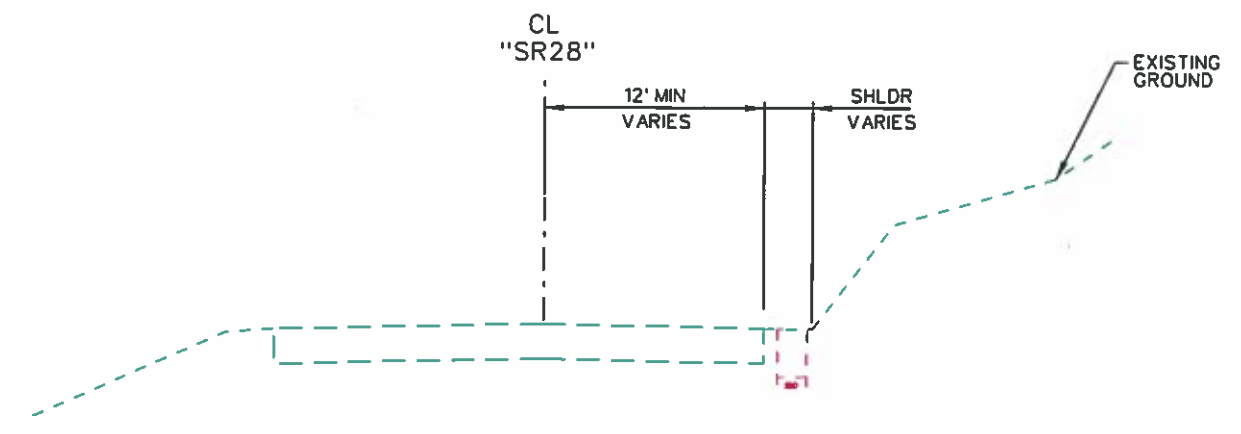
PRELIMINARY

SUBJECT TO REVISION
29-AUG-2016

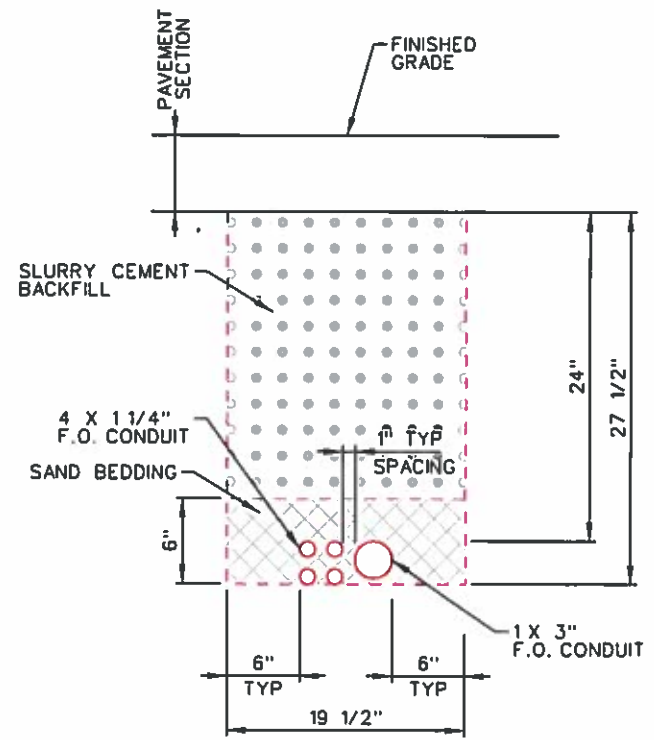
STATE	PROJECT NO.	COUNTY	SHEET NO.
NEVADA	SPF-028-1(024)	CARSON/WASHDE	ITS7



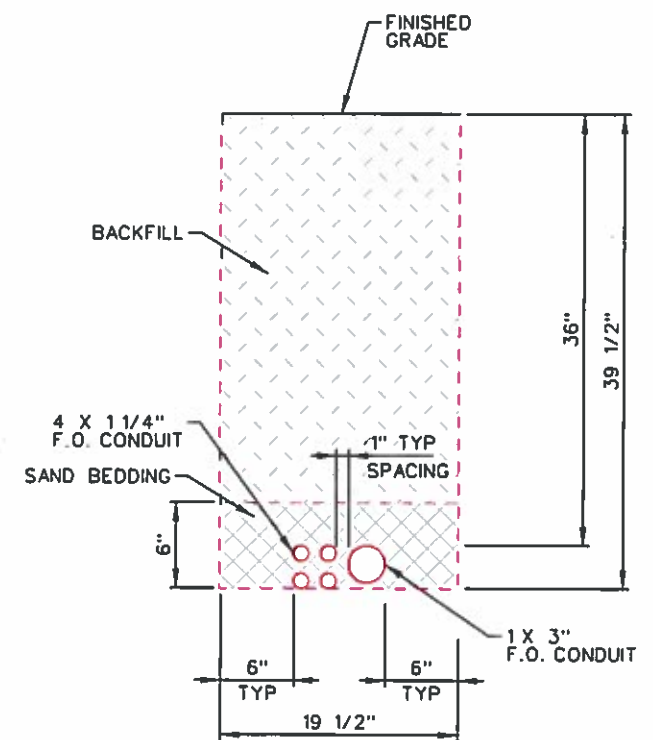
TYPICAL SECTION - CONDUIT IN PAVEMENT



TYPICAL SECTION - CONDUIT LOCATED BEHIND PAVEMENT OR CURB AND GUTTER



ALTERNATIVE FIBER OPTIC TRENCH DETAIL



FIBER OPTIC TRENCH DETAIL



STATE OF NEVADA
DEPARTMENT OF TRANSPORTATION
SR-28 NORTH DEMONSTRATION PROJECT
PHASE 3 - FINAL DESIGN
**FIBER OPTIC
TYPICAL SECTIONS**